

NEW!

Flavor Burst™ MX Series

The world's best flavoring systems just developed a split personality! These new MX Series systems attach to two freezer barrels to inject concentrated flavorings throughout finished product as its dispensed. Now operators can add multiple flavors to a variety of concepts *with no additional blending or portioning!*

FB 44MX Split a standard 8-flavor Flavor Burst™ soft-serve system to enable a twin twist machine to serve 11 flavors! The FB 44MX models offer 4 additional flavors to chocolate and 4 additional flavors to vanilla... run soft-serve and yogurt... or yogurt and custard!

FB 44SMX Split a standard 8-flavor Flavor Burst™ frozen beverage system to offer 8 additional flavors to a twin barrel frozen beverage machine. The FB 44SMX also offers the extended ability to combine or layer any 4 of your favorite flavors for each barrel -- it's like having your own *micro-manufacturing plant!*

FB 44CMX Split the benefits of the new FB 44MX and FB 44SMX to compliment a combo freezer with the FB 44CMX model. That's 4 flavors of soft-serve plus the ability to combine 4 flavors of frozen beverages for a wide variety of concepts.

Divide and conquer with the MX Series from Flavor Burst Company. After all, this split personality could be your formula to success!



ELECTRONIC DISTRIBUTION ONLY
SEE YOUR LOCAL DISTRIBUTOR FOR A PRINTED COPY OF THIS MATERIAL AND ADDITIONAL INFORMATION

Small System.
Split Personality
Big Profits.

© 2003
REV051203



Flavor Burst™ MX Series

Flavor Burst™ MX systems are easy to install and operate. The operator simply selects the desired flavor using an electronic keypad, then concentrated flavorings are injected or blended throughout the finished product as it is dispensed. Several features are common to each MX system:

- Output for 2 freezer barrels
- NSF, CE & UL certification
- Durable stainless steel cabinetry
- Component-based design
- Clean-in-place functions
- Extensive bag-in-box flavor selections
- Triple-layer 1-gallon flavor packaging
- Long flavor shelf life, non-refrigerated
- Adjustable flavor output
- No additional blending or portioning

2 Flavors Combined!



In addition, the SMX and CMX models feature the additional ability to layer or blend flavors for multi-flavored frozen beverages. Simply select multiple flavors using the electronic keypad and dispense the finished product!



Flavor Burst™ MX Series Specifications

Electrical		Dimensions	
Voltage-Cycles	115V-50/60-1 230V-50/60-1	Width	9.5" (24.1 cm)
		Depth	24" (61.7 cm)
		Height	31.5" (80.0 cm)
Approx. Weights		Total Cubic	8 cu. ft. (.2 cu. m.)
Total Net	108 lbs. (45.8 kgs.)		
Total Crated	141 lbs. (61.7 kgs.)		



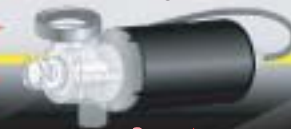
FB 44MX

- Ideal companion for twin twist freezers
- Maintains 2 independent flavor inventories - 1 for each freezer barrel
- Each 1-gallon soft-serve flavor yields ~800 4 oz. cones



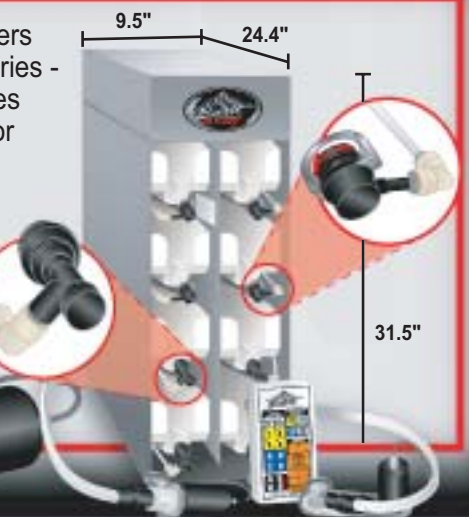
FB 44SMX

- Ideal companion for twin barrel frozen beverage freezers
- Maintains 2 independent flavor inventories - 1 for each freezer barrel
- Offers both single flavor and multi-flavor servings
- Each 1-gallon frozen beverage flavor yields ~166 10 oz. servings



FB 44CMX

- Ideal companion for combination freezers
- Maintains 2 independent flavor inventories - 1 for soft-serve & 1 for frozen beverages
- Offers both single flavor and multi-flavor servings for frozen beverages
- Each 1-gallon soft-serve flavor yields ~800 4 oz. cones
- Each 1-gallon frozen beverage flavor yields ~166 10 oz. servings



CALL 1-800-264-3528 TODAY!